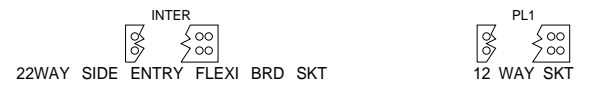


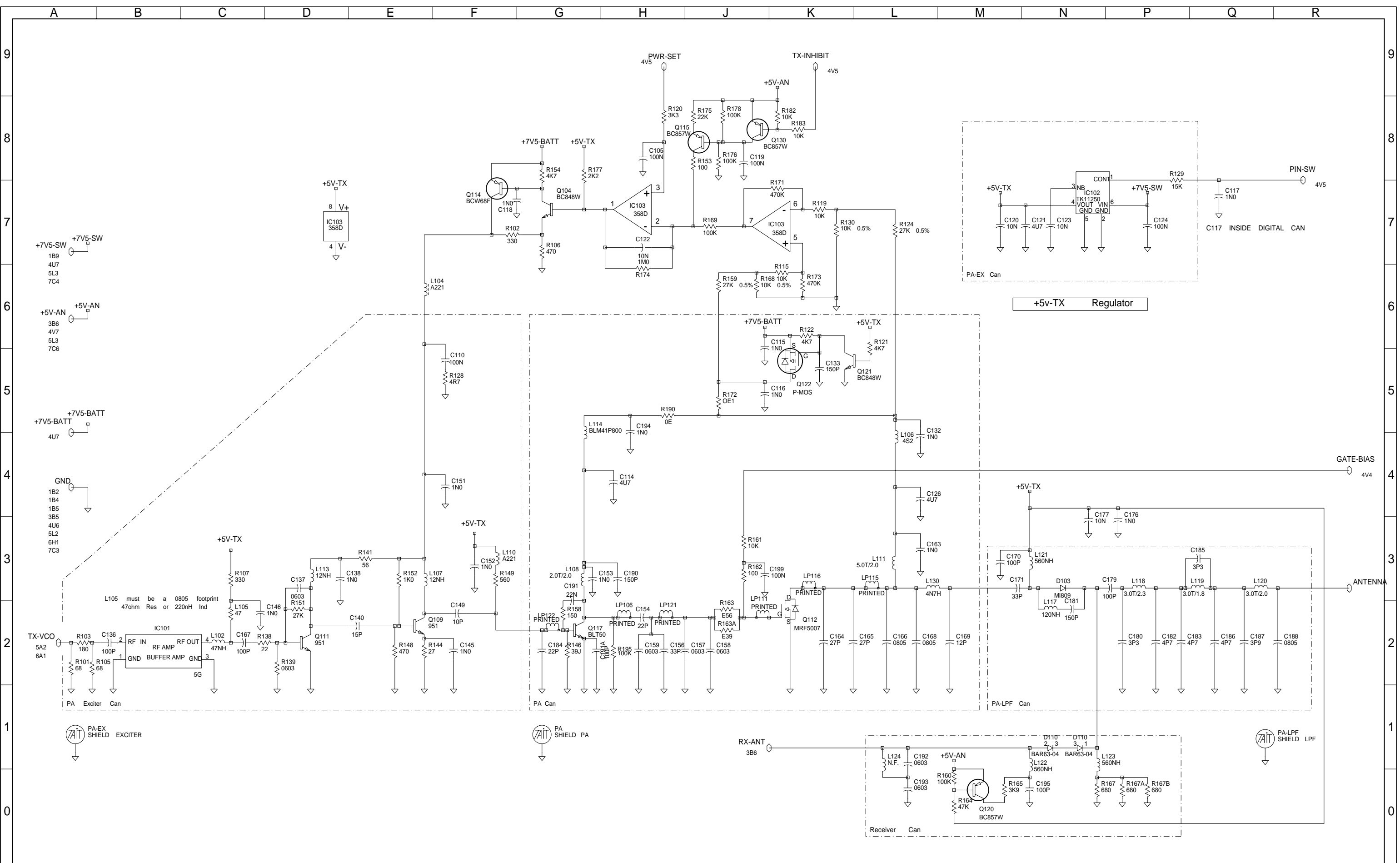
REV/ISS	AMENDMENTS	DRAWN	CHKD	D.O.	APVD	DATE
10D	REGENERATE PLC, PLA	CCN	No.1392-005	TS		05-10-99
10C	SPRING PINS SMD, SEALS TO NONSMD	CCN	No.1392-004	TS		24-09-99
10B	CHANGED C572 FROM 0603 TO 0805	BRD				11-5-99
10A	MUTE MOD/ALC/BIRDY MODS	BRD				11-03-99
09A	UPDATES TO COIL PADS	BRD				04/02/99
05	MOREUPDATES	DBH				
04	UPDATED AND MOVED AERIAL SOCKET	MAJ				
03 B	UPDATED VALUES ADDED CANS TO PLA	MAJ				



© TAIT ELECTRONICS  
 ORCA : 400-440MHZ  
 SYSTEM DIAGRAM

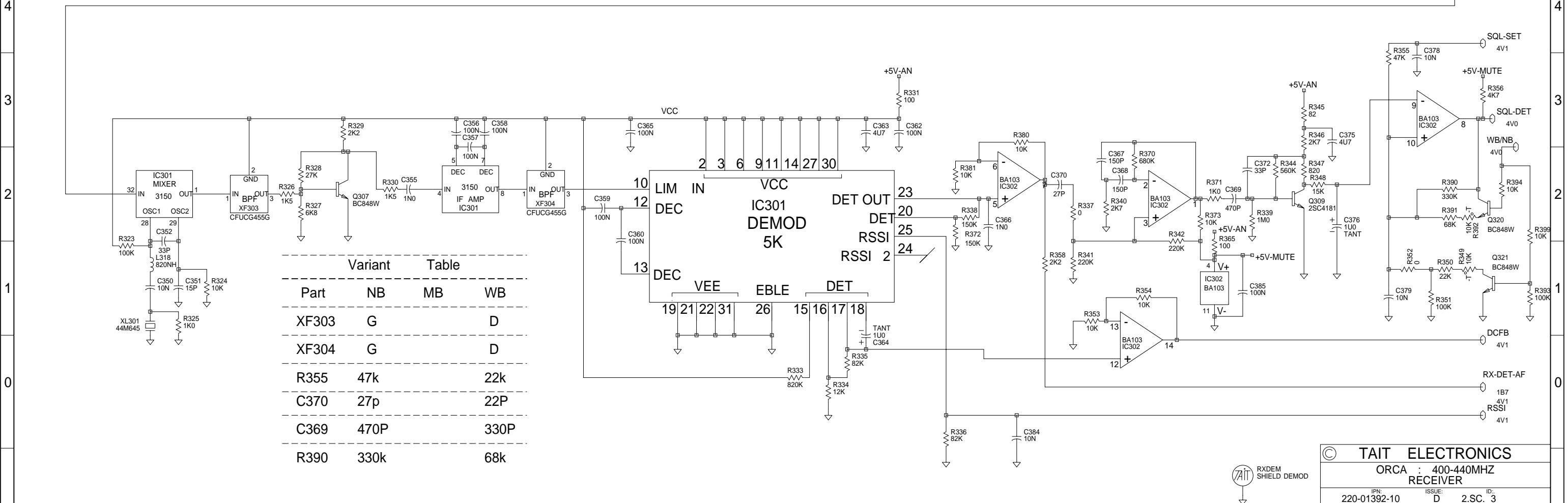
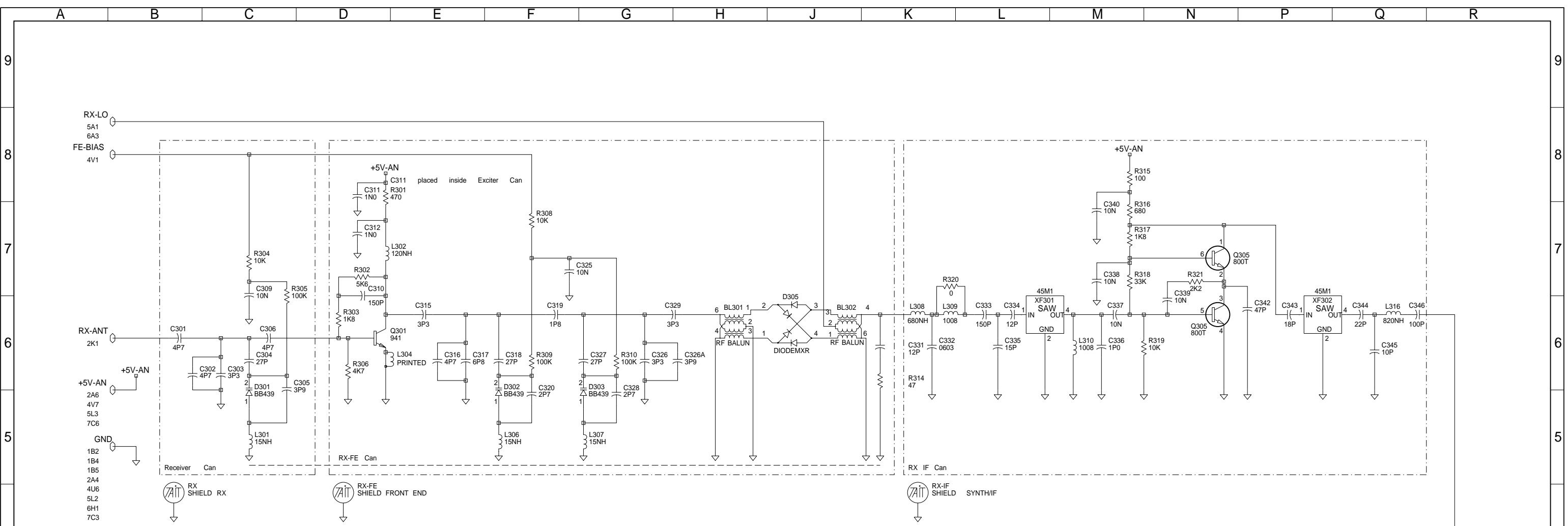
IPN: 220-01392-10    ISSUE: D    ID: 2.S.C. 1

PROJECT: ORCA    DESIGNER: BRD/TS    FILE NAME: 139210d    DATE: 5-Oct-99    NO.SHEETS: 7



© TAIT ELECTRONICS  
 ORCA : 400-440MHZ  
 POWER AMPLIFIER  
 IPN: 220-01392-10 ISSUE: D ID: 2.S.C. 2  
 PROJECT: ORCA DESIGNER: BRD/TS FILE NAME: 139210d FILE DATE: 5-Oct-99 NO.SHEETS: 7

REV/ISS	AMENDMENTS	DRAWN	CHKD	D.O.	APVD	DATE
A						

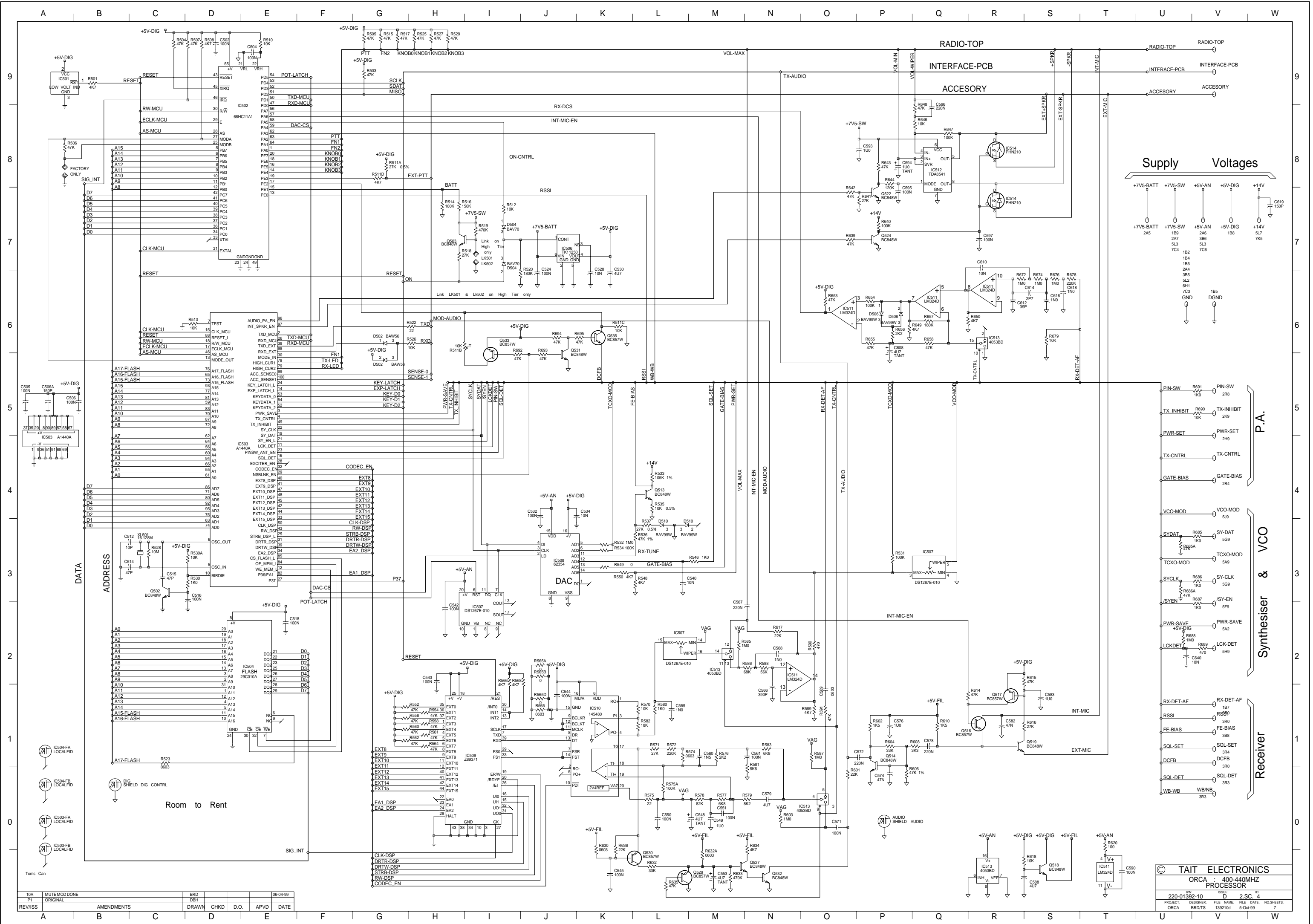


Variant Table

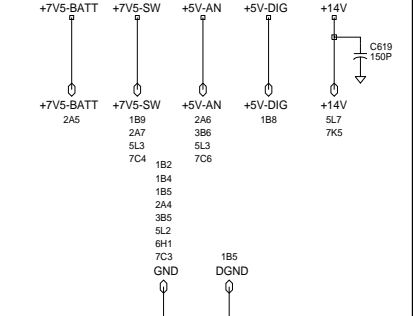
Part	NB	MB	WB
XF303	G		D
XF304	G		D
R355	47k		22k
C370	27p		22P
C369	470P		330P
R390	330k		68k

© TAIT ELECTRONICS  
 ORCA : 400-440MHZ RECEIVER  
 IPN: 220-01392-10 ISSUE: D 2.S.C. 3  
 PROJECT: ORCA DESIGNER: BRD/TS FILE NAME: 139210d DATE: 5-Oct-99 NO.SHEETS: 7

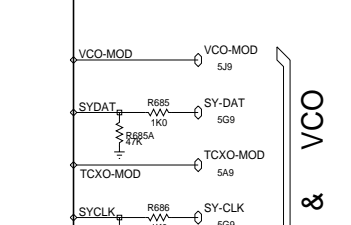
REV/ISS	AMENDMENTS	DRAWN	CHKD	D.O.	APVD	DATE



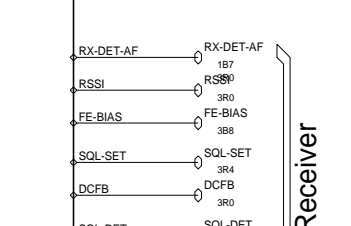
**Supply Voltages**



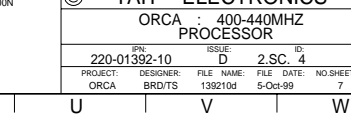
**P.A.**



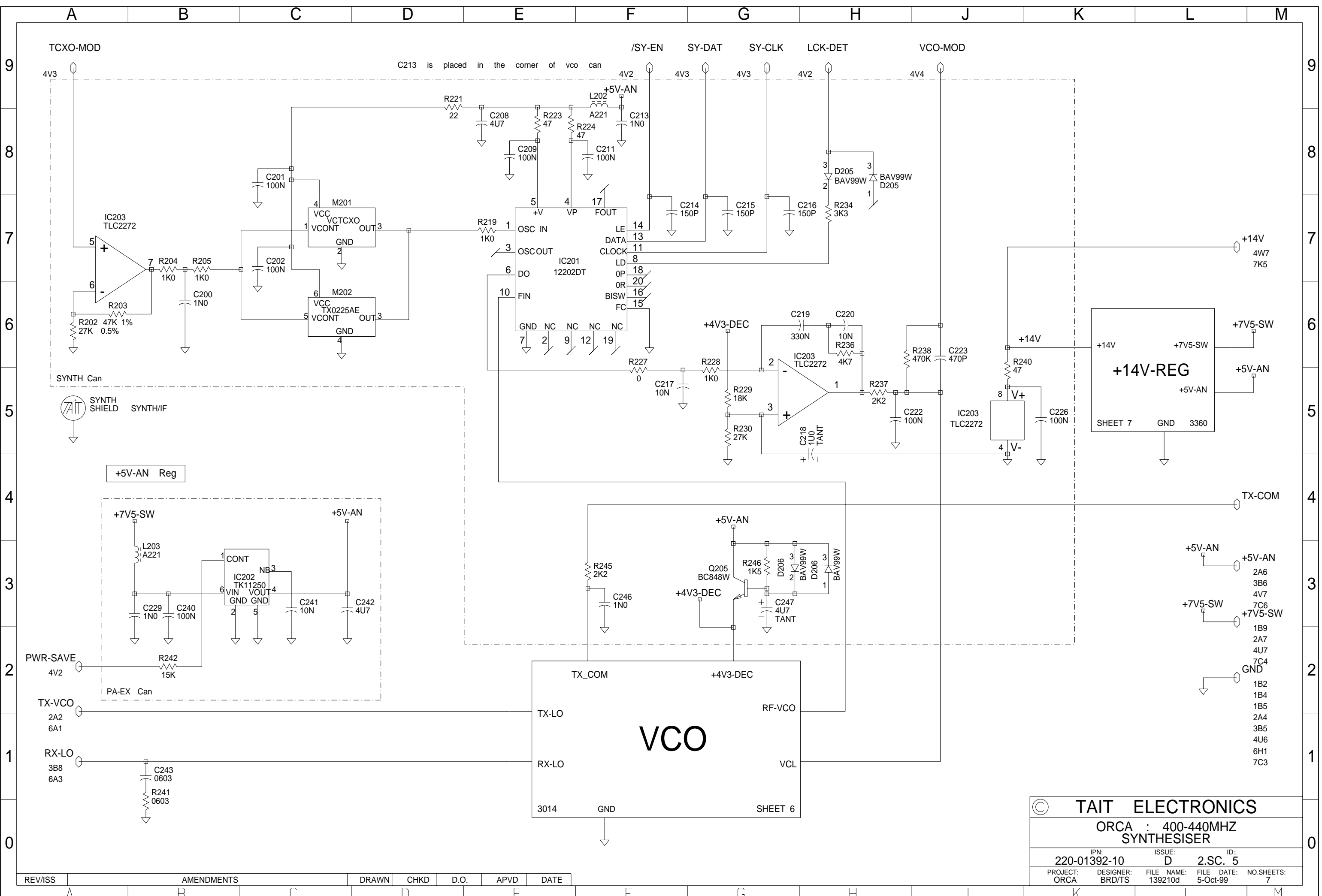
**Synthesiser & VCO**



**Receiver**



REV/ISS	AMENDMENTS	DRAWN	CHKD	D.O.	APV/D	DATE
10A	MUTE MOD DONE	BRD				06-04-99
P1	ORIGINAL	DBH				



C213 is placed in the corner of vco can

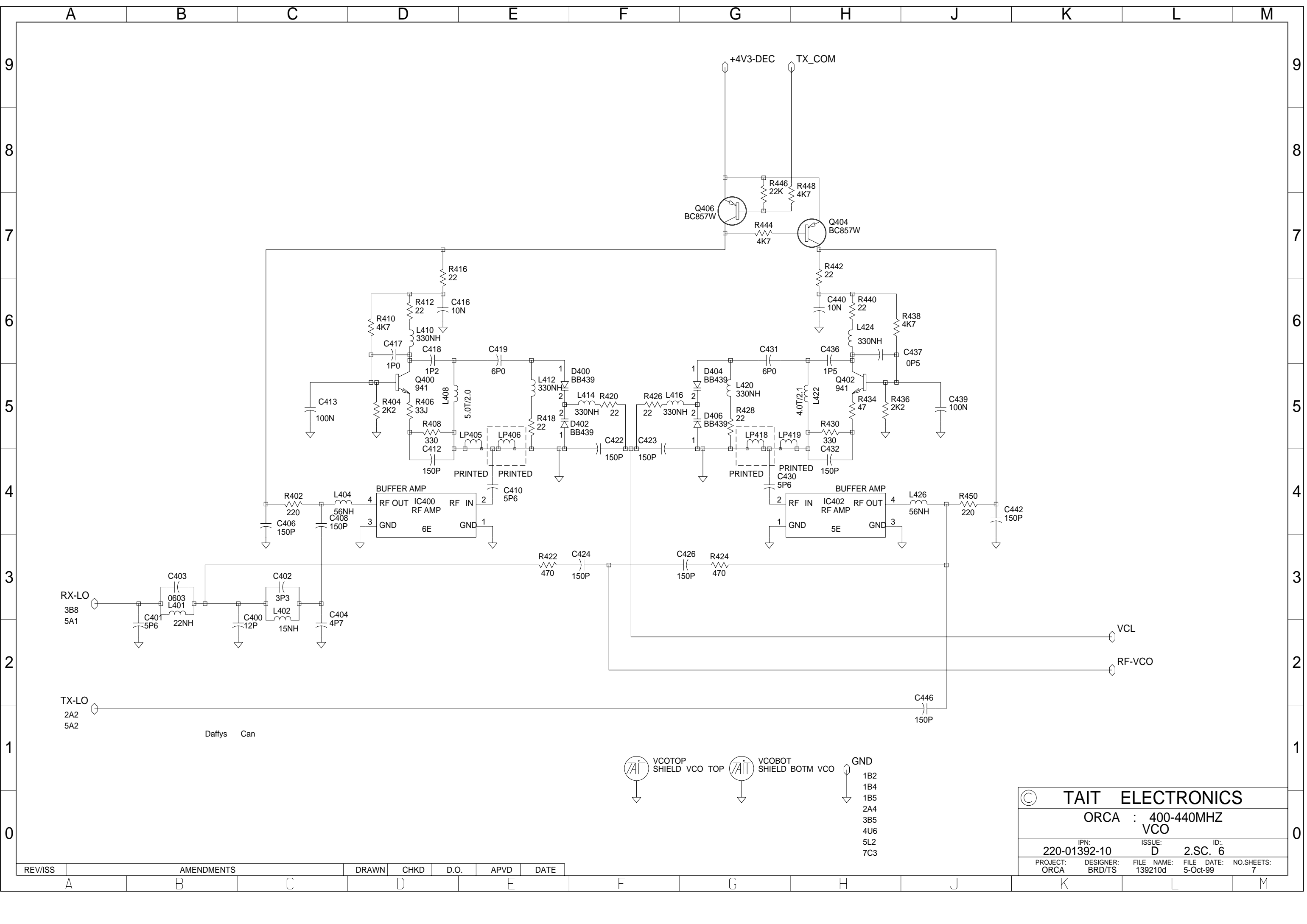
**+14V-REG**  
SHEET 7  
GND 3360

**VCO**  
3014 GND  
SHEET 6

© TAIT ELECTRONICS				
ORCA : 400-440MHZ SYNTHESISER				
IPN:	ISSUE:	ID:		
220-01392-10	D	2.SC. 5		
PROJECT:	DESIGNER:	FILE NAME:	FILE DATE:	NO.SHEETS:
ORCA	BRD/TS	139210d	5-Oct-99	7

REV/ISS	AMENDMENTS	DRAWN	CHKD	D.O.	APVD	DATE

- +5V-AN 2A6
- +5V-AN 3B6
- 4V7 4V7
- +7V5-SW 7C6
- +7V5-SW 1B9
- 2A7 2A7
- 4U7 4U7
- 7C4 7C4
- GND 1B2
- 1B4 1B4
- 1B5 1B5
- 2A4 2A4
- 3B5 3B5
- 4U6 4U6
- 6H1 6H1
- 7C3 7C3



© TAIT ELECTRONICS

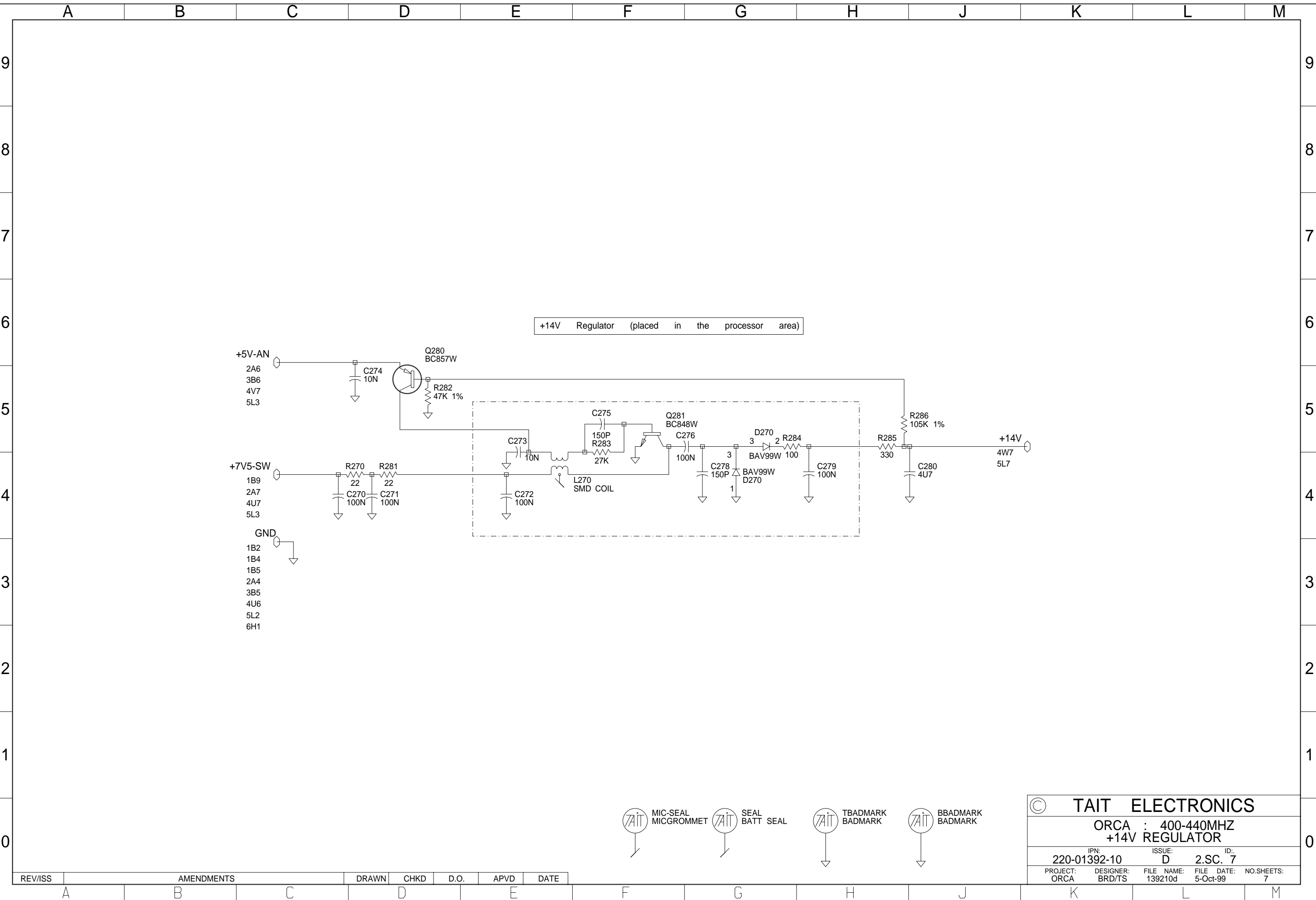
ORCA : 400-440MHZ  
VCO

IPN: 220-01392-10    ISSUE: D    ID: 2.SC. 6

PROJECT: ORCA    DESIGNER: BRD/TS    FILE NAME: 139210d    FILE DATE: 5-Oct-99    NO.SHEETS: 7

REV/ISS	AMENDMENTS	DRAWN	CHKD	D.O.	APVD	DATE

- VCOTOP SHIELD VCO TOP
- VCOBOT SHIELD BOTM VCO
- GND
- 1B2
- 1B4
- 1B5
- 2A4
- 3B5
- 4U6
- 5L2
- 7C3







+14V Regulator (placed in the processor area)

+5V-AN  
2A6  
3B6  
4V7  
5L3

+7V5-SW  
1B9  
2A7  
4U7  
5L3

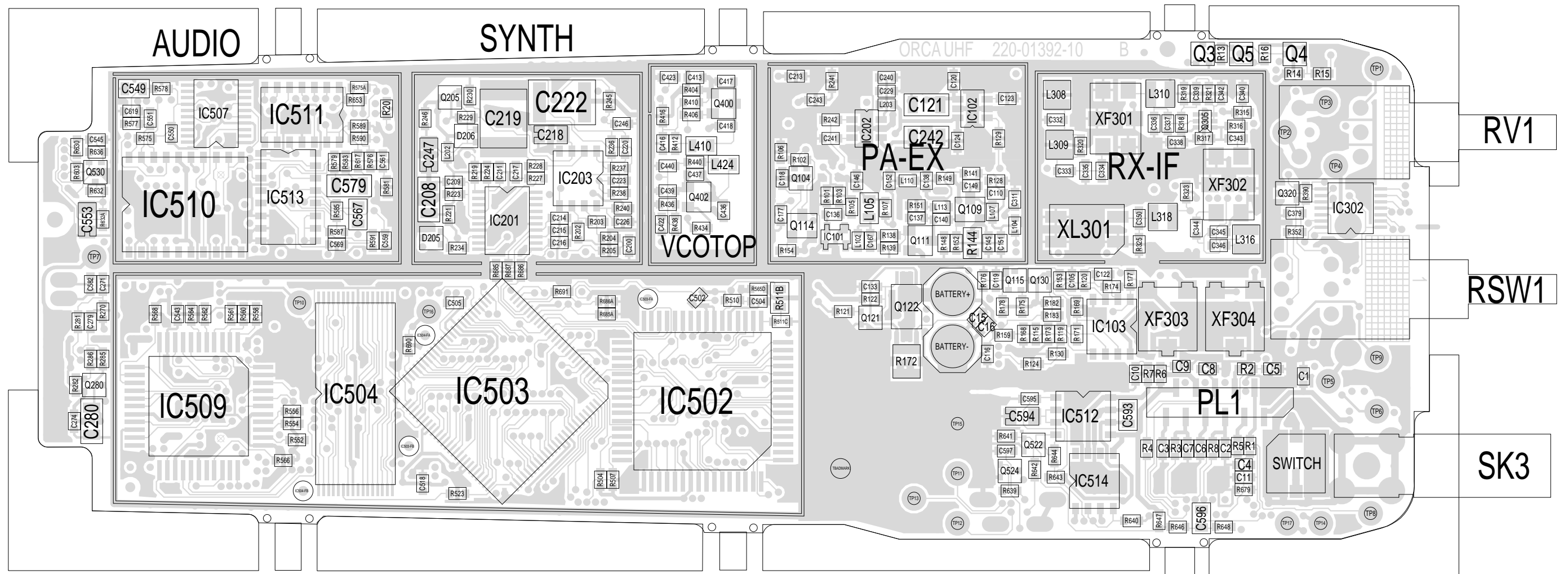
GND  
1B2  
1B4  
1B5  
2A4  
3B5  
4U6  
5L2  
6H1

 MIC-SEAL MICGROMMET   
  SEAL BATT SEAL   
  TBADMARK BADMARK   
  BBADMARK BADMARK

© TAIT ELECTRONICS				
ORCA : 400-440MHZ +14V REGULATOR				
IPN:	ISSUE:	ID:		
220-01392-10	D	2.SC. 7		
PROJECT:	DESIGNER:	FILE NAME:	FILE DATE:	NO.SHEETS:
ORCA	BRD/TS	139210d	5-Oct-99	7

REV/ISS	AMENDMENTS		DRAWN	CHKD	D.O.	APVD	DATE
---------	------------	--	-------	------	------	------	------

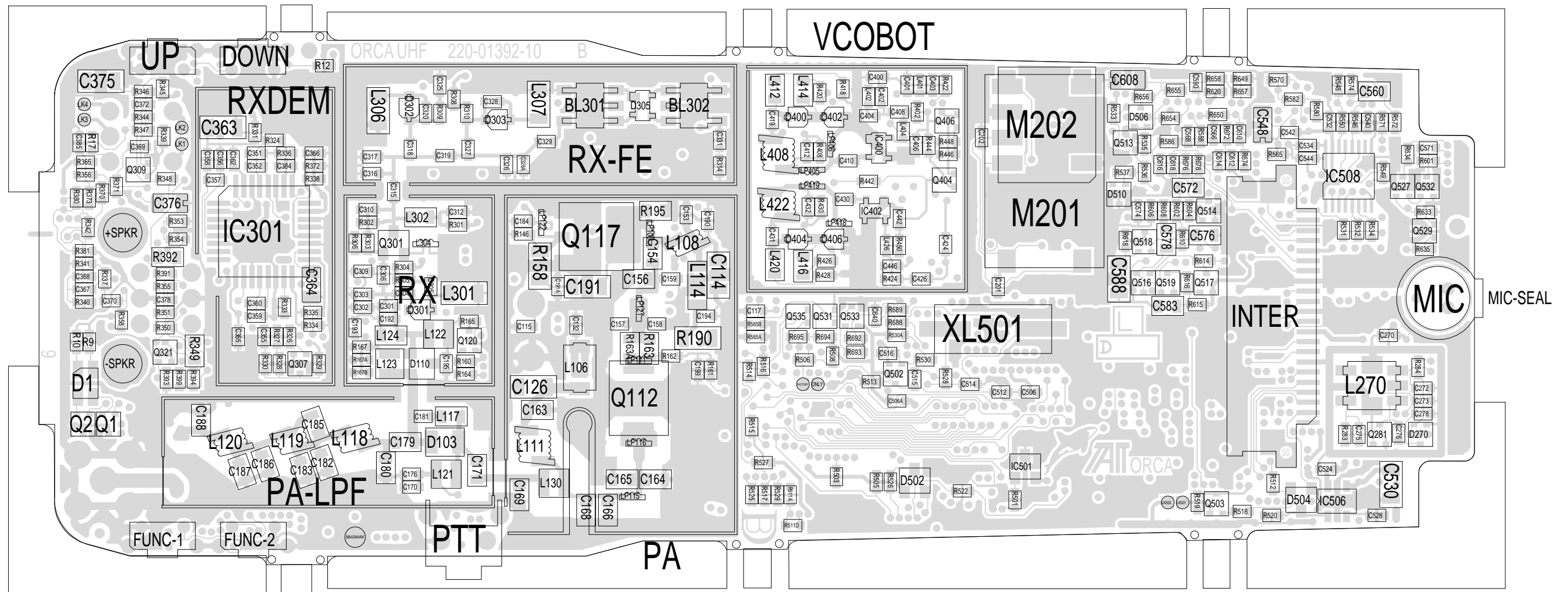
A B C D E F G H J K L M



TAIT ELECTRONICS IPN: 220-01392-10 ISS: -10B ID: 1.TA DATE: 13 May 1999  
 ORCA UHF PCB LAYOUT - TOP SIDE

Scale: 2.3:1 ; Rotation: 0 degrees





TAIT ELECTRONICS IPN: 220-01392-10 ISS: -10B ID: 6.BA DATE: 13 May 1999  
 ORCA UHF PCB LAYOUT - BOTTOM SIDE